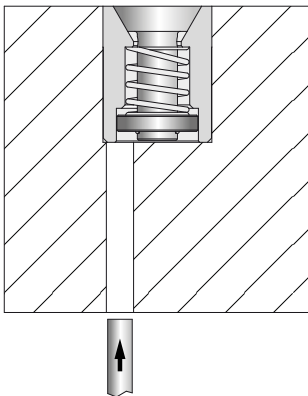


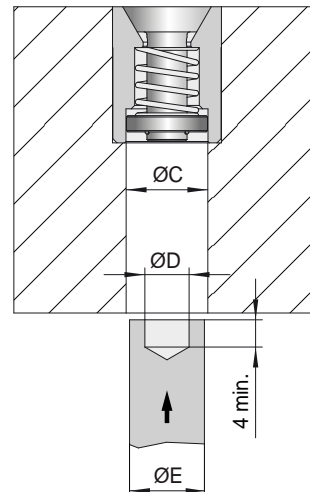
CODE: **VA**

CODE	A	B	L	L1	C	D	E
VA-4	4	3,4	8	4	3,5	2,8	3
VA-6	6	5	10	4	5	4	4,5
VA-8	8	5,6	12	4	6,5	5	6
VA-10	10	8	14	5	7,5	5	7
VA-12	12	10	14	5	9	5,5	8,5
VA-16	16	12	20	6	12	6,5	11
VA-20	20	16	20	6	12	6,5	11

TECHNICAL NOTES FOR AIR VALVES DISASSEMBLY



SOLUTION 1



SOLUTION 2

CHARACTERISTICS

- 1) STAINLESSNESS, MAT. STAINLESS STEEL AISI 420 50-55 HRC;
- 2) FULLY GRINDED;
- 3) COMPACT STRUCTURE (avoid the breakage in case of disassembly).